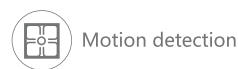


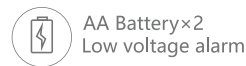
Shield MD-V2^{Plus}

Motion Detector

Schütz
Premium Qualität



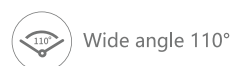
Motion detection



AA Battery×2
Low voltage alarm



IoT
LoRa



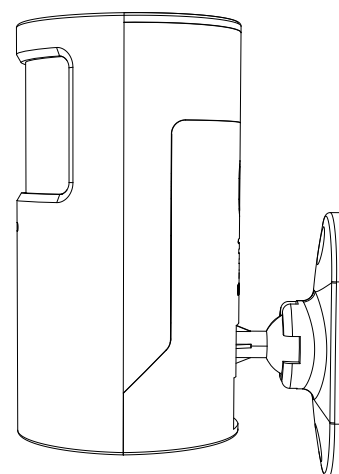
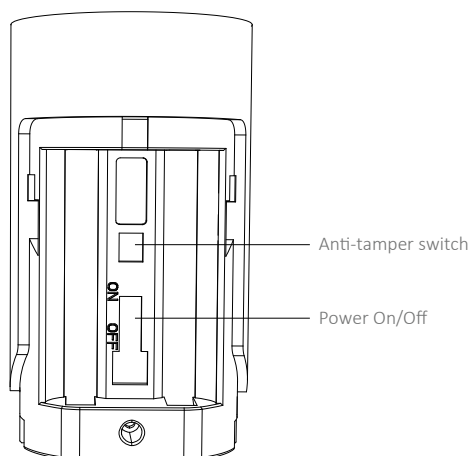
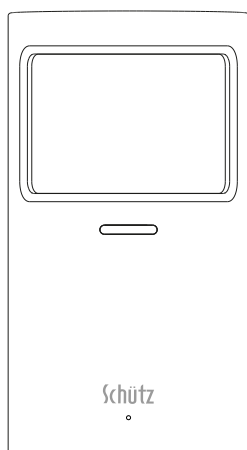
Wide angle 110°



Pet immunity

Technical Parameter

• Battery specification	AA battery ×2
• Standby current	≤10μA
• Alarm current	≤15mA
• Detection angle	110°
• Working temperature	-10°C~+50°C
• Relative humidity	<95% (no condensation)
• Wireless parameters	868MHz
• Product size	50×92mm



Schütz

Excellence through Innovation

1 Year Worry-free Warranty



App Store



Google Play



Web Link