



7" Smart Security Panel Kit

Shield 7^{Plus}

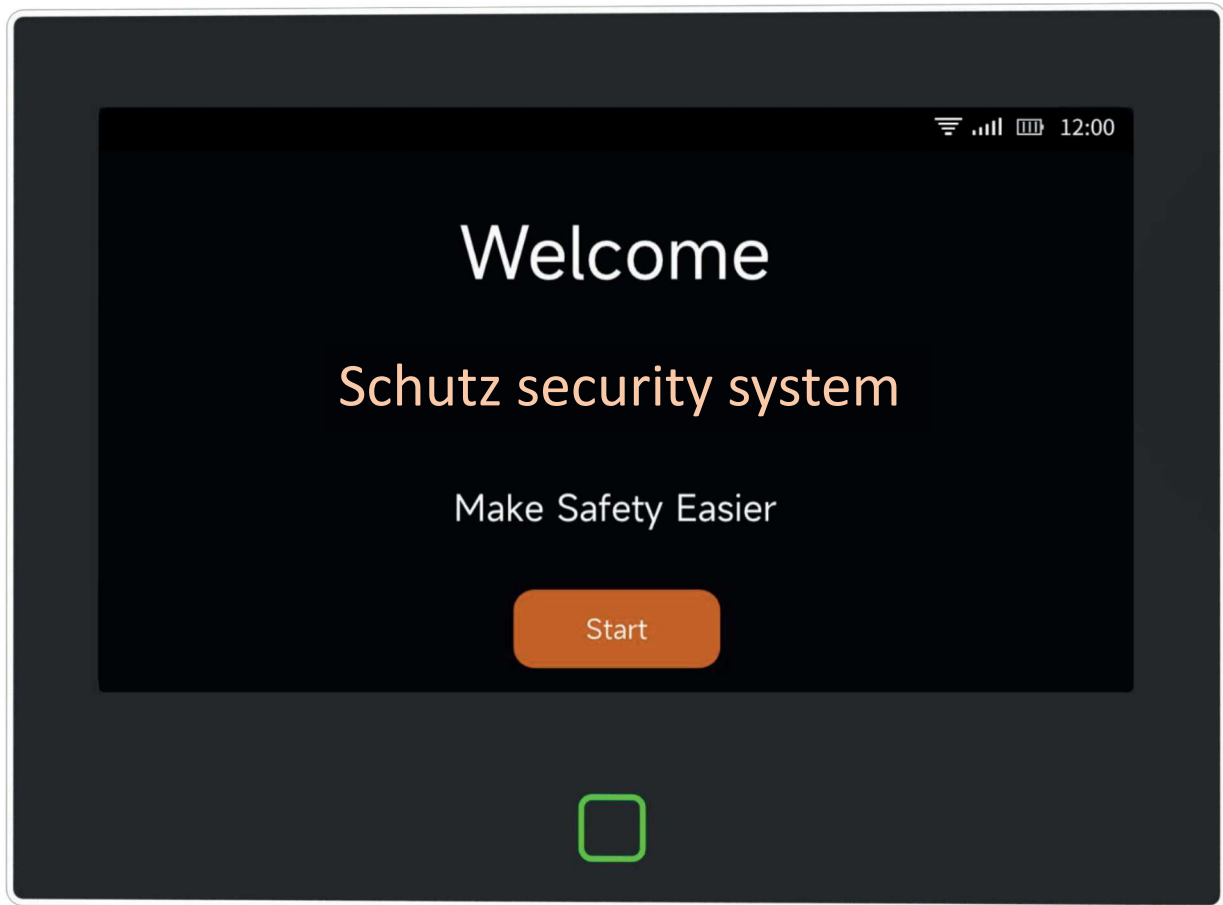
User Manual

CONTENT

I.	General Description.....	1
1.1	Product Example.....	1
1.2	Home Installation Diagram	2
II.	Set up Smart Life APP.....	3
2.1	Download APP - Smart Life	3
2.2	Connect Panel to Smart Life APP.....	3
2.3	Settings on APP.....	7
III.	Set up the Security Devices.....	9
3.1	Security Panel.....	9
3.2	Entry Sensor.....	13
3.3	Motion Sensor.....	15
3.4	Controller	16
3.5	Multifunction Button---Doorbell/SOS Button.....	17
IV.	Learn to Use the Security Panel.....	18
4.1	Main Interface	18
4.2	Menu introduction	19
4.2.1	Accessory	19
4.2.2	Phone	21
4.2.3	Security.....	23
4.2.4	Settings	24
V.	Troubleshooting and Maintenance	25
VI.	Hazardous Substance Declaration.....	26
VII.	Warranty Rules.....	26
VIII.	FCC Declares.....	27

I. General Description

1.1 Product Example

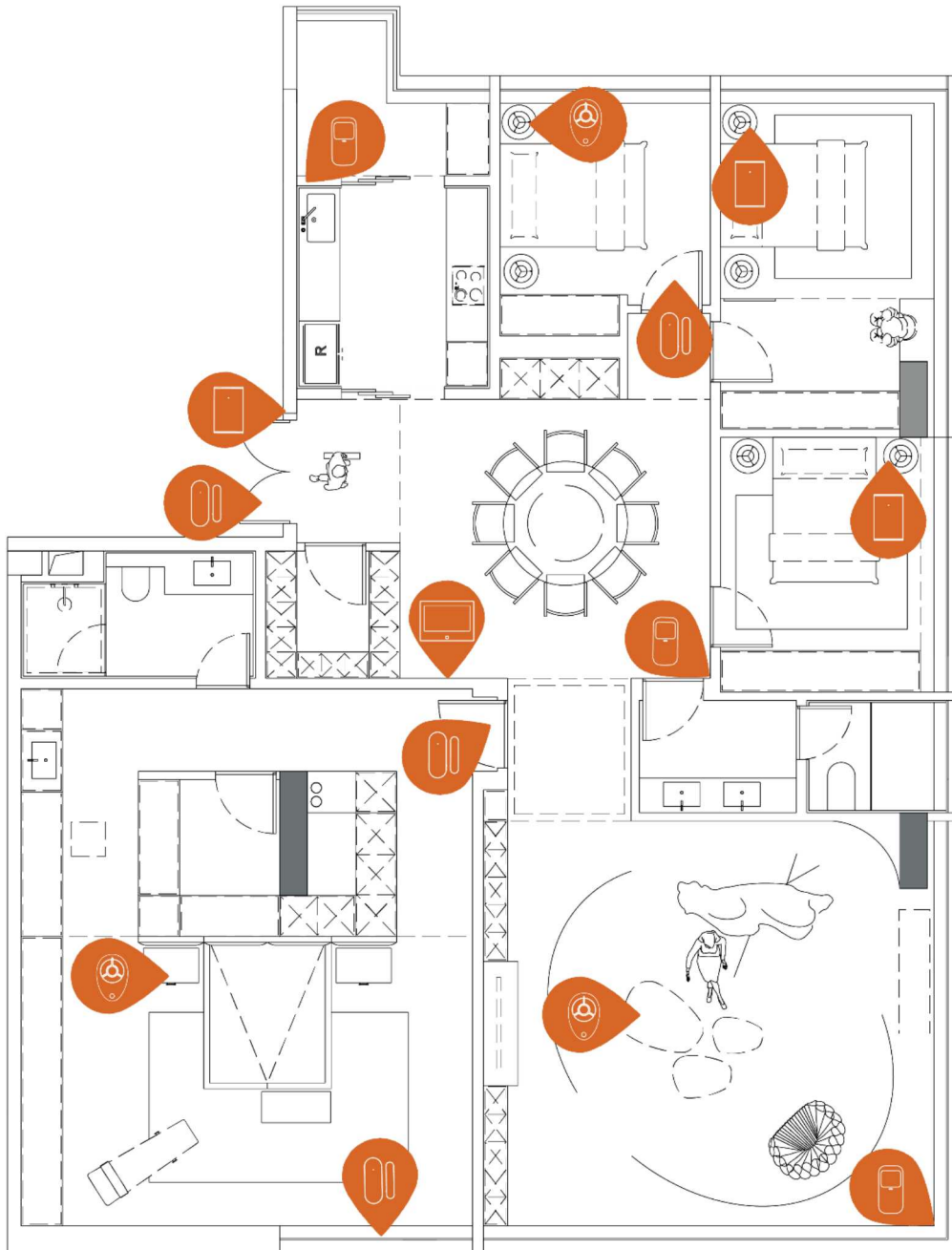
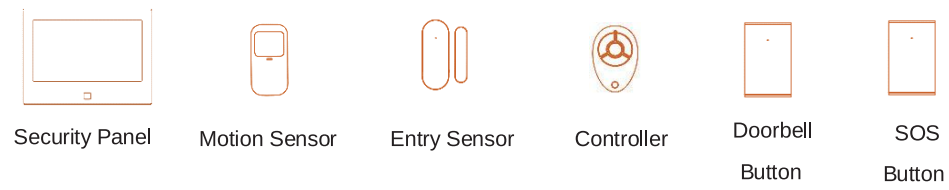


Security Panel

The central hub of the security system.

This 7-inch security panel has multiple upgrades: 1024X600PX high-definition IPS screen, built-in 5000mAH lithium battery. Built-in louder siren and buzzer, up to 120dB. Added 12V/1A, Type-C-5V/2A charging port. 8 wired sensor zones, suitable for families with pre-installed embedded lines. It also connects all your accessories to the app, so you can control your home from anywhere.

1.2 Home Installation Diagram



II. Set up Smart Life APP

2.1 Download APP - Smart Life

Note:

Turn on the panel, choose a language, and scan the QR code on the panel to download;

Users can also search "Smart Life" in major global APP stores or scan the QR code below to download.



Apple APP Store



Google Play Store

- (1) iOS users, please scan the [Apple APP](#) QR code.
- (2) Android users, please scan the QR code of [Google Play](#) to download.
- (3) After downloading the APP, please enable all usage permissions for the APP in the phone settings
- (4) Sign up or Log in to your APP account.

2.2 Connect Panel to Smart Life APP

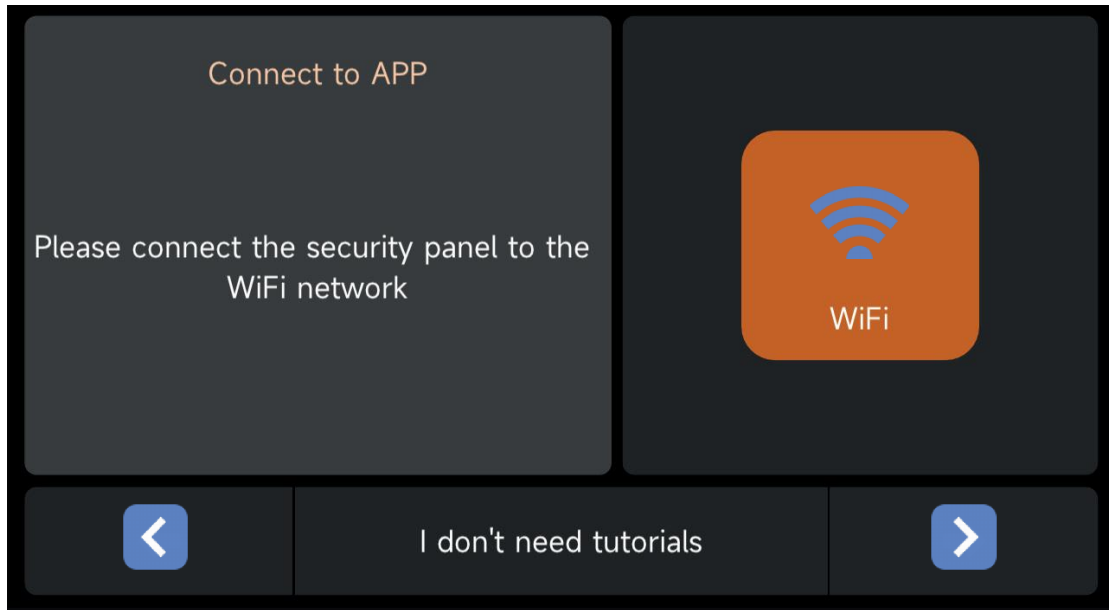
Note:

- (1) This security panel only supports **2.4GHz WiFi** networks only. Make sure your router is set up correctly and can connect to the Internet.
- (2) When adding the security panel to the Smart Life APP, please turn on the mobile phone **WiFi and Bluetooth**, and confirm that the mobile phone is connected to the 2.4GHz frequency band.

Steps:

- (1) For first-time use, please connect the security panel to the power supply, and turn the backup battery switch on the back of the panel to the "ON" position, then enter the operation guide interface.

If you have entered the main interface or want to reset the WiFi, please click "Connection"---"WiFi", and enter the default user code: 1234.



Operation Guide Interface --- Press WiFi Icon

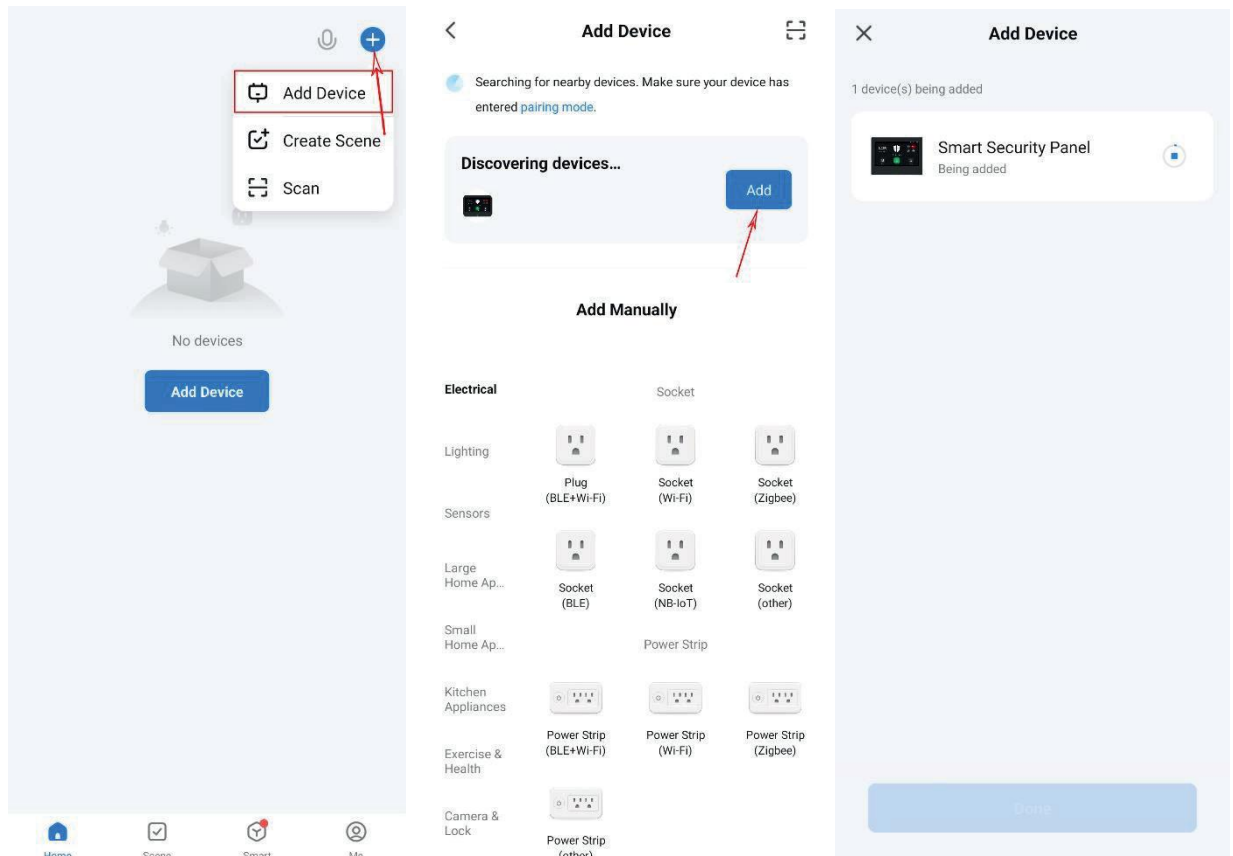
- (2) Press "Airlink" to enter the WiFi pairing mode.



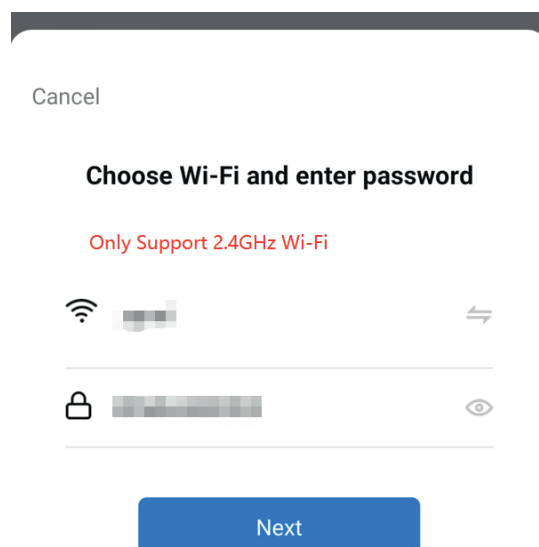
(3) **On the APP:** Open the "Smart Life" APP and enter the "Home" interface.

A. Click the "+" on the upper right corner of the interface and select "Add Device".

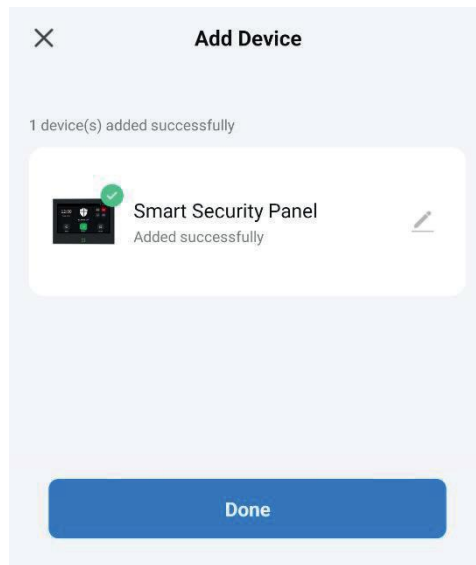
B. Press "Add" on the discovering device's area.



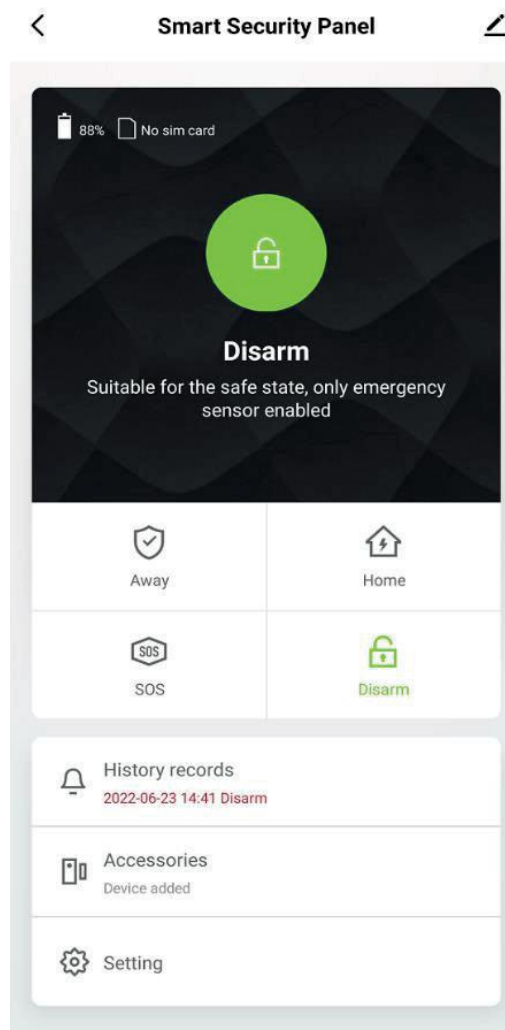
C. Input the **2.4Ghz WiFi** name and password, and click "Next".



D. Paired successfully



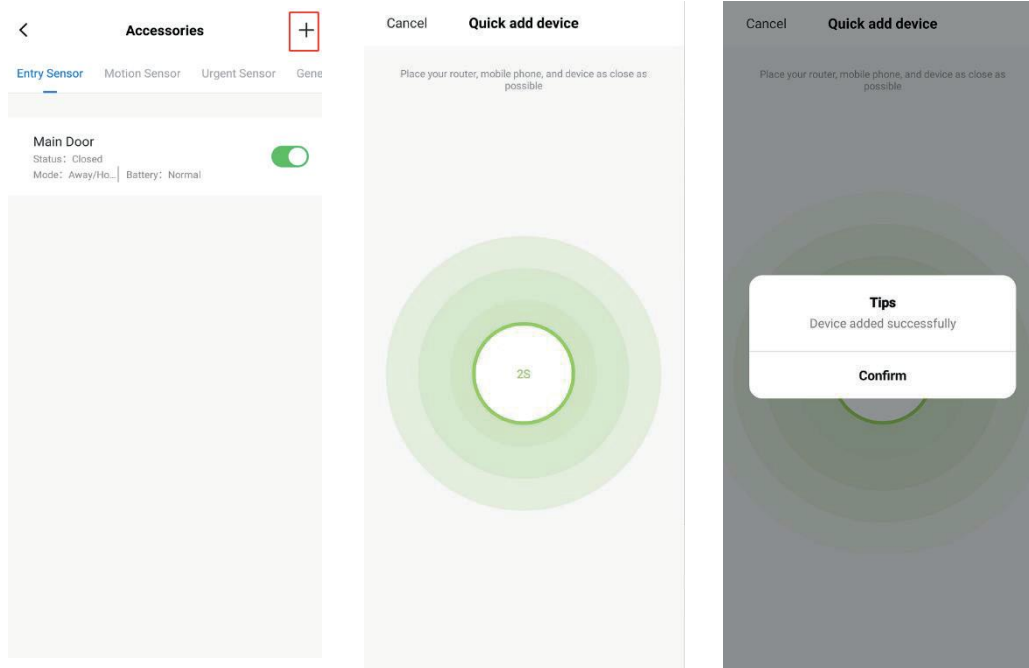
(4) You can remote control the alarm system on the APP.



2.3 Settings on APP

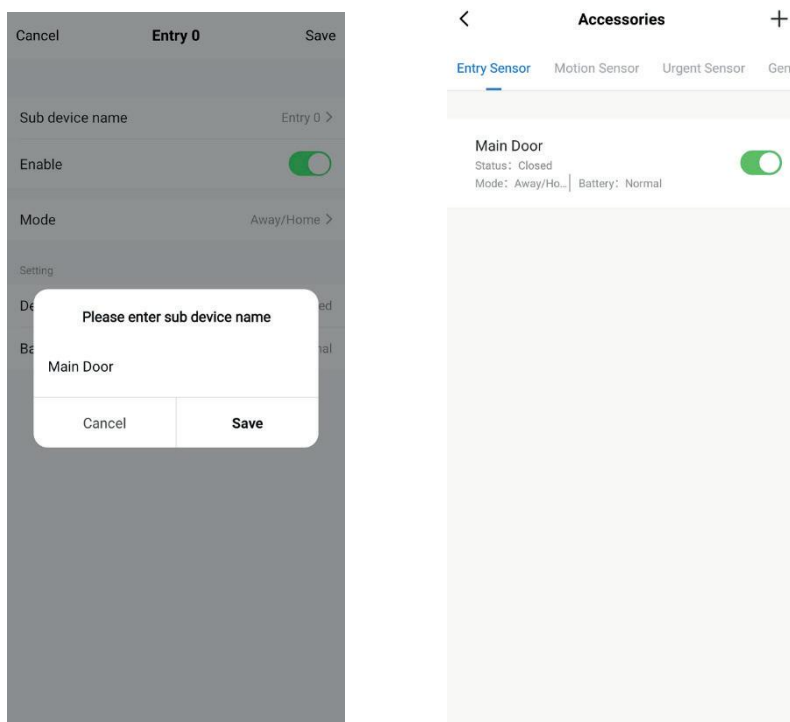
2.3.1 Add Device

Click Accessories, press “ + ”, and then trigger the accessory to complete the pairing.



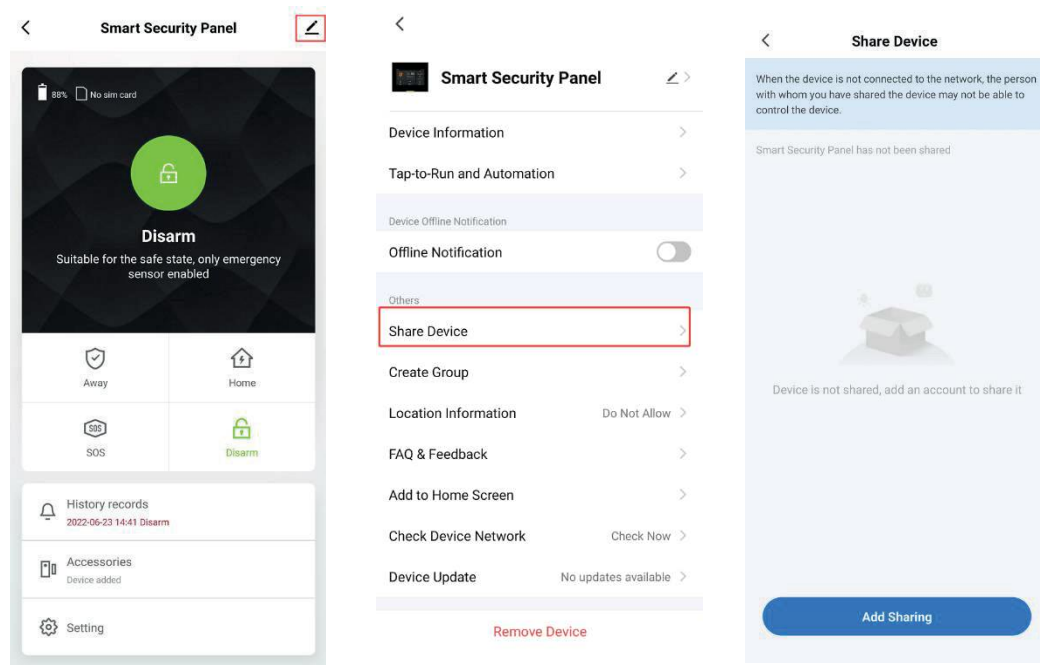
2.3.2 Rename Device

Accessory names can only be renamed on the APP, just press “Sub device name” to edit the name.



2.3.3 Share Device

A security panel can only be paired with one APP account, but you can share it with multiple family members to manage together.



2.3.4 Other Settings

Press Setting, and can directly modify the settings in the security panel on the APP.

Through the APP, you can remotely control the security panel. You can also set the arm and disarm time, which is simple and convenient.

III. Set up the Security Devices

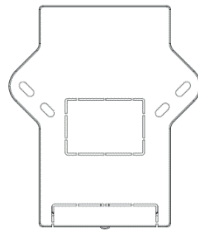
3.1 Security Panel

3.1.1 Installation Diagram

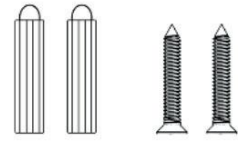
(1) Wall Mount



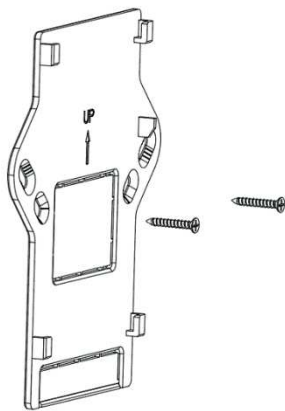
Security Panel×1



Wall Hanging Plate×1

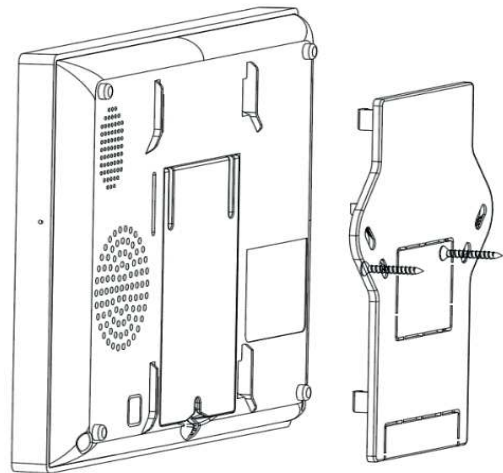


Screws×2



1. Install the hanging plate on the wall with screws.

Note: The screws must be all nailed to the wall, and the hanging board must be parallel.



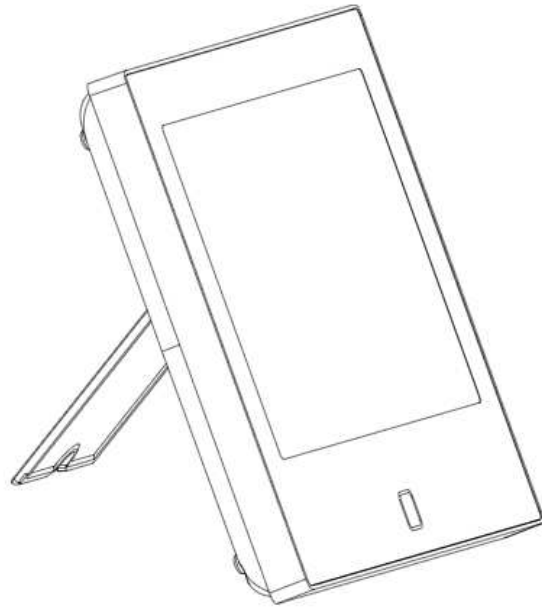
2. Align the hole on the back of the panel with the hanging plate and install it.

Note: For concealed wire installation, please remove the bracket and cable clip.

(2) Placed on the Desktop

Comes with a Stand on the Back

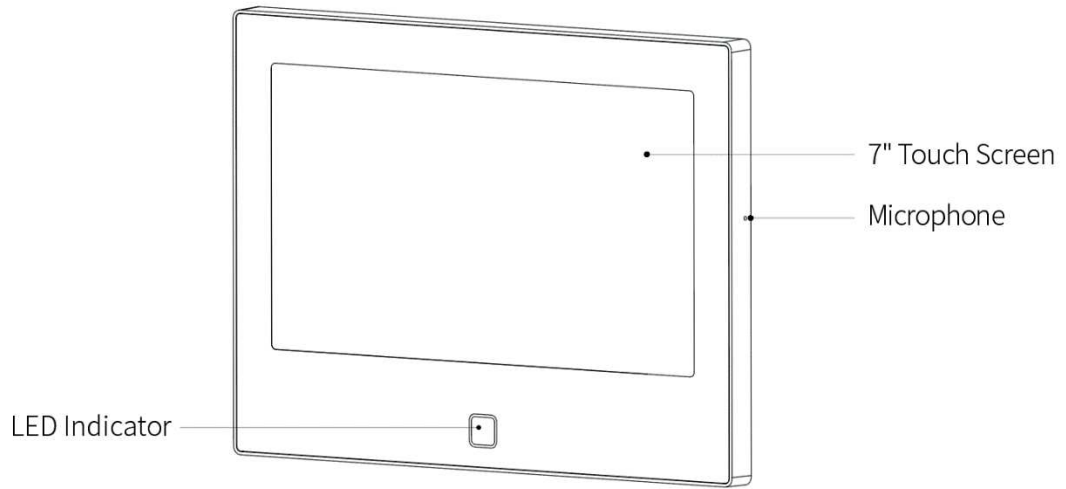
It can be directly placed on the desktop, free from the installation of holes on the wall, and can be placed anywhere in the home.



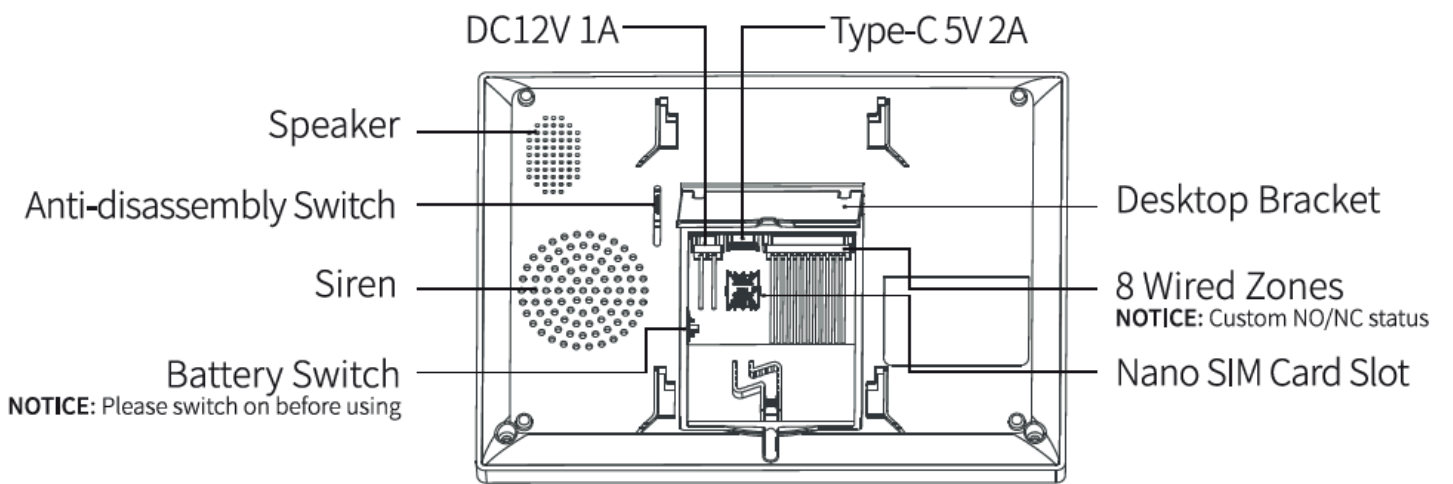
Note:

- 1) Installed in the center of the home to facilitate signal reception and transmission.
- 2) Install it closer to the WiFi router.
- 3) Avoid installing all devices on metal surfaces, as well as on load-bearing walls.

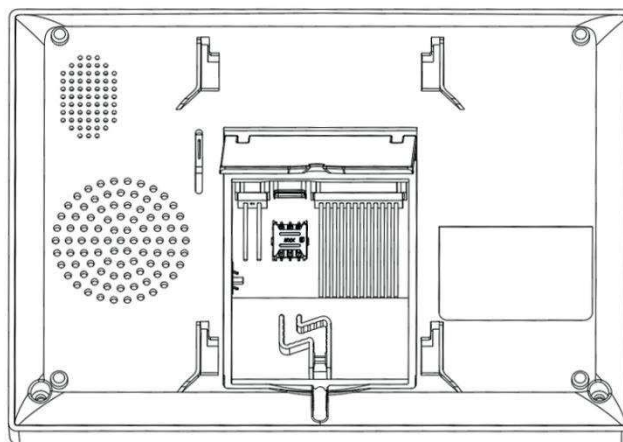
3.1.2 Appearance Design



Front View



Back View



Rear Main View

3.1.3 Indicator:

Color	Panel status	Flashing	Panel status
Red	Alarming	Yellow/Green	Delay Arming
Yellow	Armed	Red/Green	Delay Alarming
Green	Disarmed		

3.1.4 Alarm Modes

A. Security Panel Alarm Modes

- Away: The security panel is in a monitoring state, when the accessories are triggered, the security panel will alarm.
- Home: When the user is at home, in this mode, some areas can be monitored and alarms.
- Disarm: The security panel cancels the monitoring state, and only the SOS button or the accessories set to "Always" mode can trigger the alarm.

B. Accessories Modes :

- Away/Home : When the security panel is in the "Away" or "Home" state, the panel will alarm after the sensor is triggered. It is recommended that the outdoor sensor can be set to this mode.
- Away: When the security panel is in the "Away" state, the panel will alarm after the sensor is triggered. It is recommended that the outdoor detector can be set to this mode.
- Always: Regardless of the state of the security panel, any time the sensor is triggered, the panel will alarm. It is recommended to set this mode for gas leaks or smoke detectors, etc.
- Disabled: The security panel will not respond to the alarm request of the sensor set in this mode.

Note:

You can choose which sensors are armed in Home and Away mode, or both, or always active. For example, if you want to avoid triggering the alarm when you are at home, you can set the specific sensor in Away mode. Then when you set the panel in "Home" state, the alarm will not be triggered, only in "Away" state, the alarm will be triggered.

3.2 Entry Sensor

3.2.1 Configure

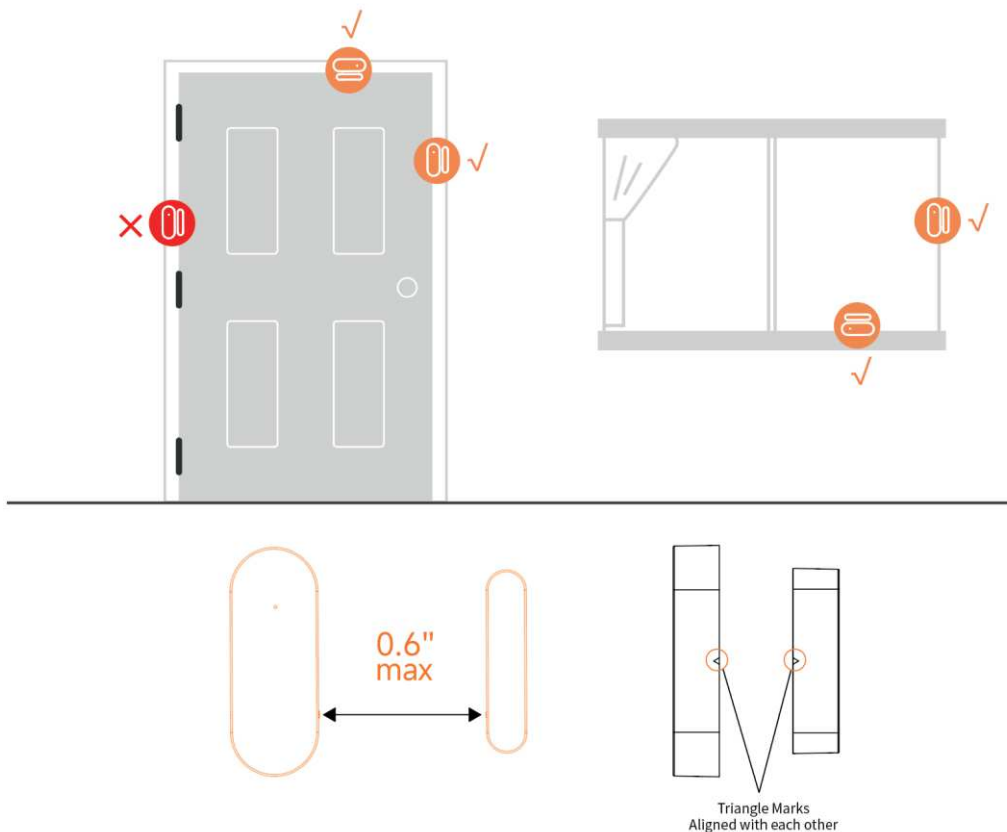
On the Security Panel:

- A. On the Main interface --Connection--Enter User Code (Default: 1234).
- B. Press Sensor--"+ " ---Entry, then set the Mode, Delay, and Advanced settings.
- C. Press "+ Pair", then trigger the Entry sensor (Just separate the two parts).
- D. Paired successfully , rename the sensors on the APP.

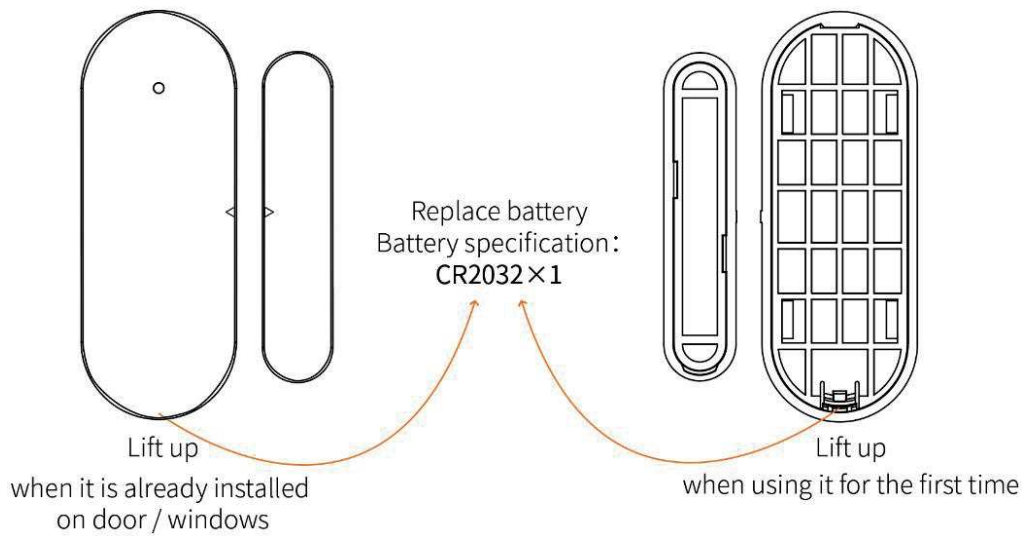
3.2.2 Installation

The entry sensor should be installed on the door or window (see image).

- A. First, wipe the area on the door or window clean and apply double-sided tape to the bottom.
- B. The door sensor transmitter (large) and the door sensor magnet (small) should be installed separately. The **triangle marks** on the transmitter and the magnet should be facing each other, and the distance between the two is less than 0.6".
- C. When the door or window is opened after installation, the indicator light will be on for 2 seconds to indicate that the installation is complete.

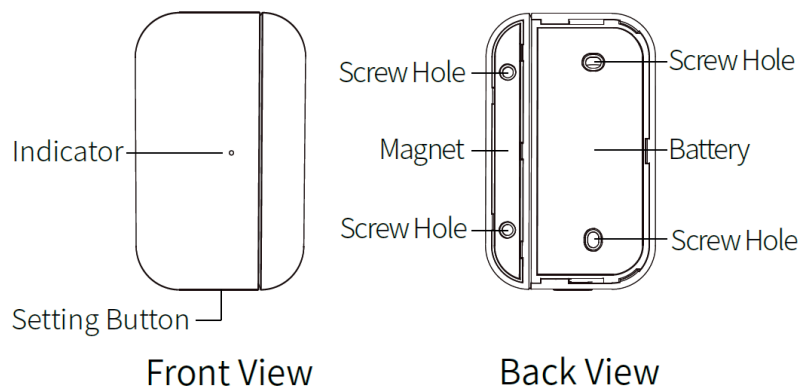


3.2.3 Battery Replacement



Door Sensor A

Battery specification: CR2032×1



Slide in the direction of the arrow to
remove the back cover

Door Sensor B

Battery specification: CR2450×2

3.3 Motion Sensor

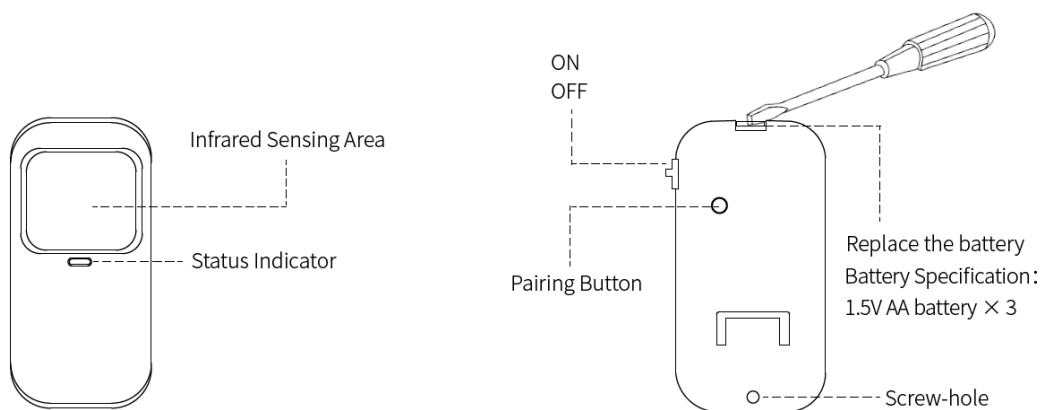
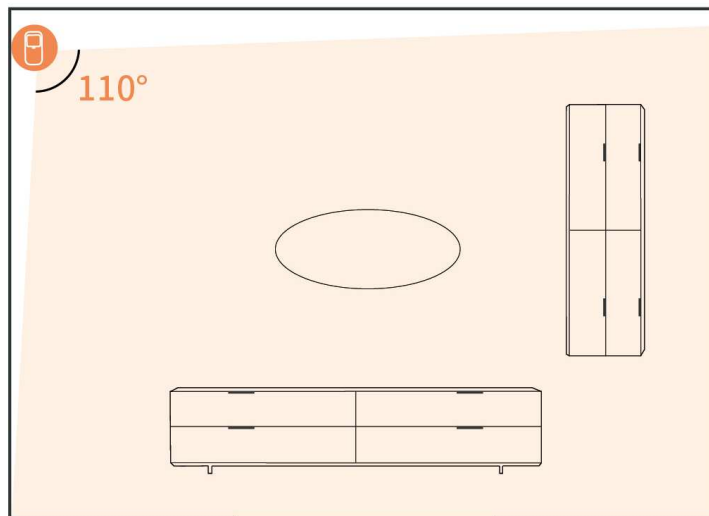
3.3.1 Configure

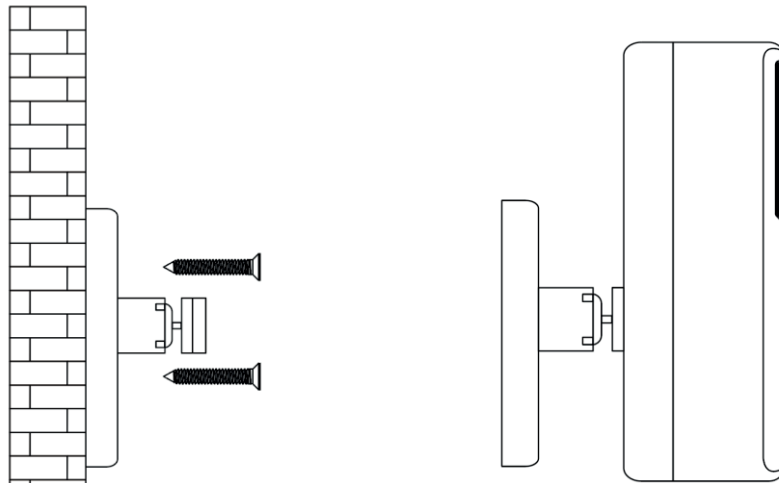
On the Security Panel:

- On the Main interface --Connection--Enter User Code (Default: 1234)
- Press Sensor--"+ " ---Motion, then set the Mode, Delay, and Advanced settings.
- Press "+ Pair", then trigger the Motion sensor (Just wave your hands until the light is on).
- Paired successfully, rename the sensors on the APP.

3.3.2 Installation

- The recommended installation height is 79"-87" (2.0~2.2m) above the ground.
- Install it in a corner or on a flat wall, with no obstacles or blind spots.
- It should not be directly facing the cold and hot vents or cold and hot source s.
- To avoid false alarms, make sure your pets can't get close to it.





Steps:

- 1) Screw the base to the wall
- 2) Hang the motion sensor on the rotating shaft

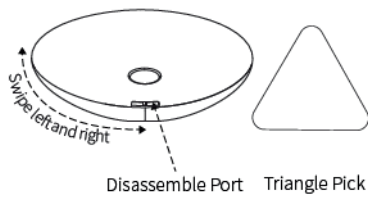
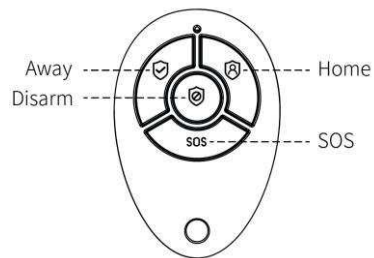
3.4 Controller

3.4.1 Configure

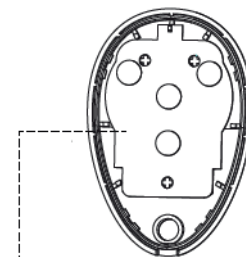
On the Security Panel:

- A. On the Main interface --Connection--Enter User Code (Default: 1234)
- B. Press Controller
- C. Press “ + ”, then trigger the controller (Press any key).
- D. Paired successfully , rename the controller on the APP.

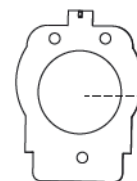
3.4.2 Appearance Introduction



1. Use the "triangular pick" to slide left and right along the gap of the case, then break the case apart.



2. Battery



Replace the battery
Battery specifications:
3V CR2032

3.5 Multifunction Button --Doorbell/SOS Button

3.5.1 Configure----Doorbell Button

On the Security Panel:

- A. On the Main interface --Connection--Enter User Code (Default: 1234)
- B. Press Doorbell.
- C. Press "+", then press the doorbell button.
- D. Paired successfully, rename the sensors on the APP.

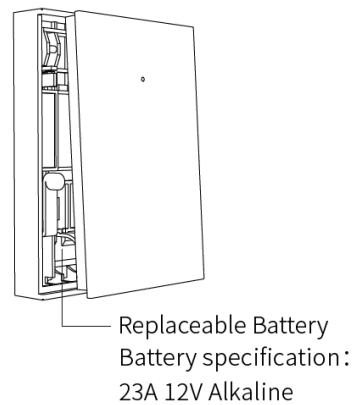
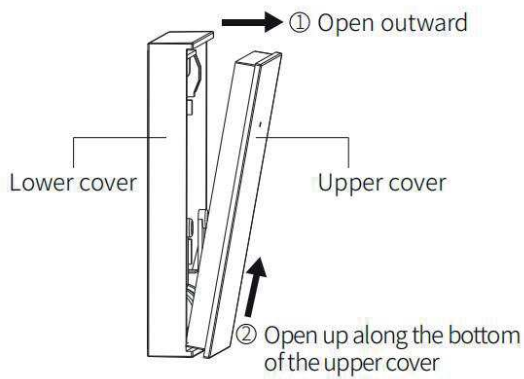
3.5.2 Configure----SOS Button

On the Security Panel:

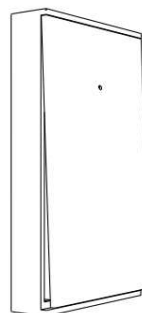
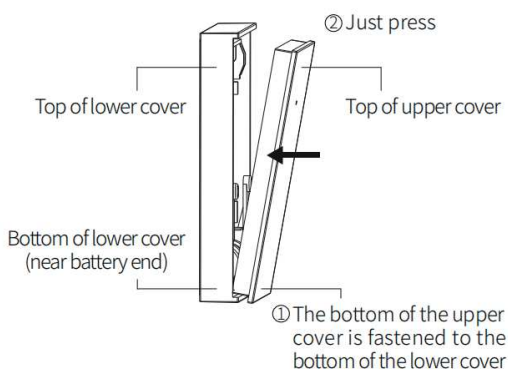
- A. On the Main interface --Connection--Enter User Code (Default: 1234)
- B. Press Sensor--"+" ---Urgent, then set the Advanced setting.
- C. Press "+ Pair", then trigger the SOS button.
- D. Paired successfully, rename the SOS button on the APP.

3.5.3 Install/Replace Battery

a. Open the cover:



b. Close the cover:



IV. Learn to Use the Security Panel

4.1 Main Interface



4.1.1 System Status

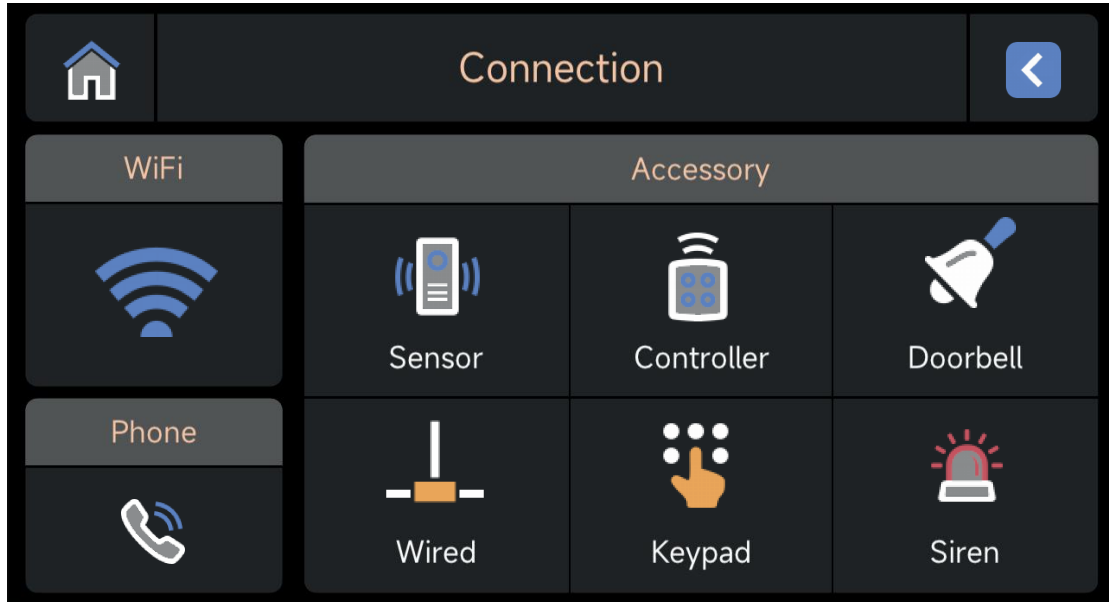
Icon					
Status	The system is in alarm state	The system is armed	The system is disarmed	Accessories low battery	Door/Window opened
Function	Log Button: Click the icon to check the Alarm Log and Arm Log Note: Support up to 160 Alarm records and 80 Arm and disarm records.			Press the icon to check the accessories	Press the icon to check the Entry Sensor

Icon				SOS
Description	Connection	Security	Settings	Press 1.5s to trigger the alarm

4.2 Menu Introduction

4.2.1 CONNECTION ---- Accessory

A. Interface



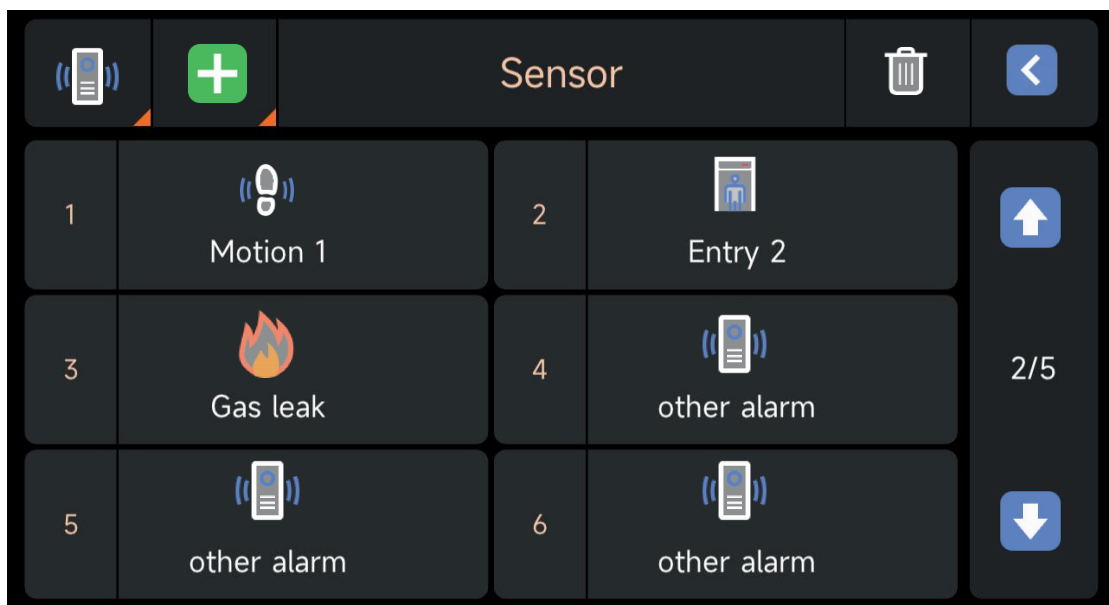
B. Wireless Sensor

Entry: Manage all the Entry sensors.

Motion: Manage all the Motion sensors.

Urgent: Emergency detectors such as SOS buttons, gas detectors, and smoke detectors

General: Other sensors or detectors, please add them here.

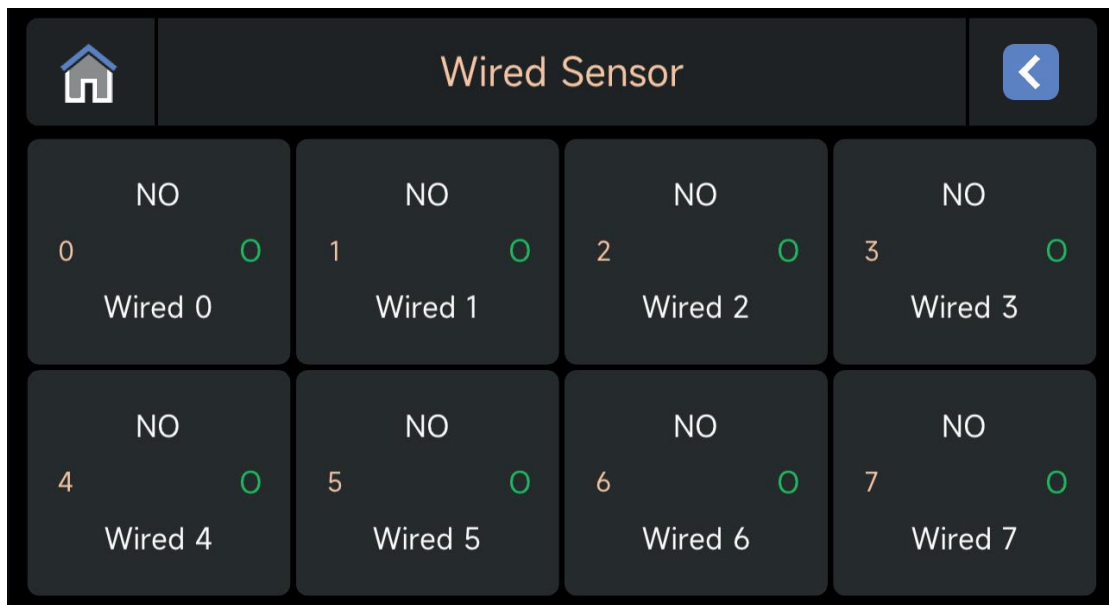


- C. Controller: Manage all the Remote controls
- D. Doorbell: Manage all the Doorbells
- E. Keypad: Manage all the Keypads
- F. Siren: Press it to pair the Wireless Siren

Note:

- 1) The security system supports the accessories with 433MHz, ev1527.
- 2) For the Entry sensors from another brand, please add it to "General"
- 3) Support up to 160 Sensors, 6 Controllers, 6 Doorbells, 6 Keypads.

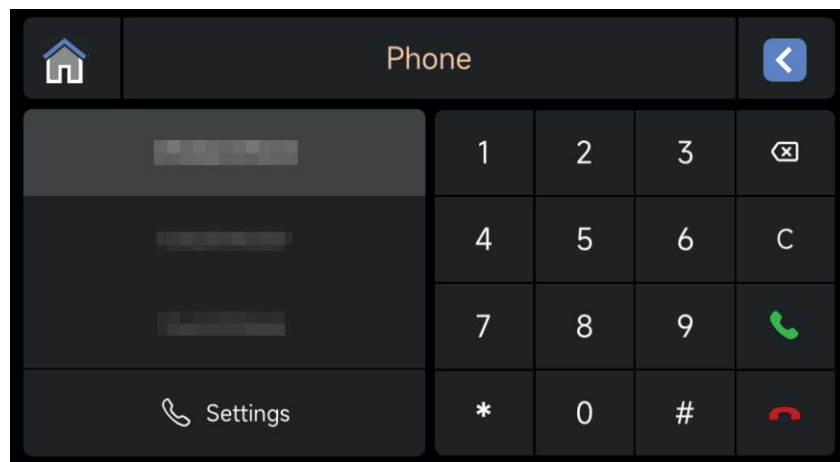
G. Wired Sensor



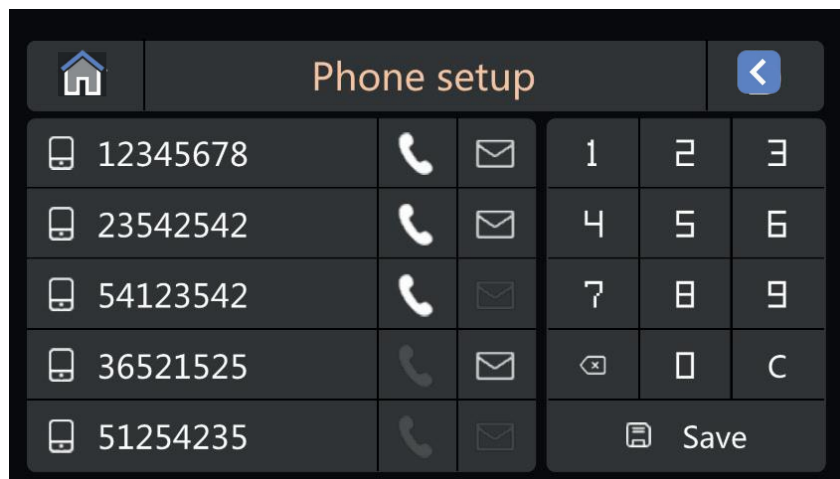
- 1) 8 Wired Zone: From Wired 0 to Wired 7
- 2) Wire Mode: NO/NC status can be customized
- 3) ○ means Normal state; ○ means abnormal state
- 4) About the wire: Black wires indicate 4 COM terminals, and Other Colored wires connect 8 wired sensors;

4.2.2 Phone

(1) Phone Dial Interface



(2) Emergency Number



Setup Example

Please light up the corresponding **Phone/SMS icon** according to your needs

- 1) **Phone Number Format:** If the phone number cannot be successfully dialed or texted, please try adding the area code before the number: 00XX, 0XX.
- 2) **SMS/Phone Alarm Rules:** After the alarm is triggered, the security panel will send SMS messages in the order of the set numbers. After the text message is sent, the call will start from the first phone number. When the first number is dialed three times in a row and no answer, the second phone number will be dialed, and so on. If one of the phone numbers is answered, subsequent phone numbers will not be dialed.
- 3) **SIM Card Unlock:** The SIM card requires a PIN code, and the carrier usually sets the PIN code to something like 1234 or 0000. **You need to disable it on the phone first.**

(3) **Arm/Disarm Panel by SMS Command.**

(Firmware version should be 1.0.20 or above)

The SMS commands and panel actions were taken are as below:

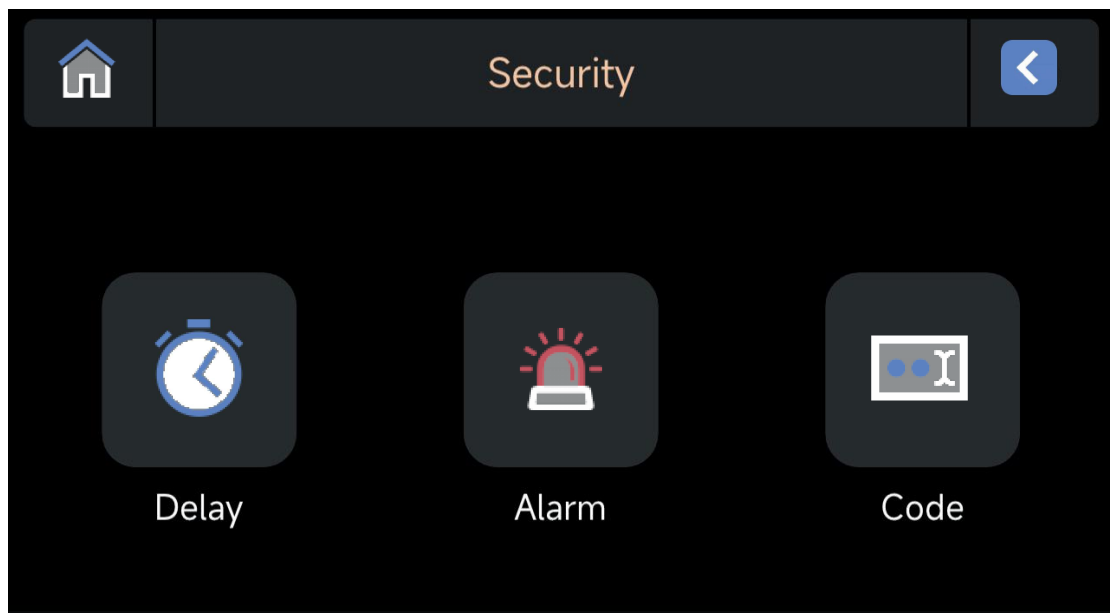
No.	SMS Command	Action Taken by the Panel	Replied SMS
1	away arm	The panel will be in "Away" mode	System armed!
2	stay arm	The panel will be in "Home" mode	System armed!
3	disarm	The panel will be in "Disarm" mode	System disarmed!

The panel will reply message to confirm the command is executed successfully.

NOTE: The panel only accepts SMS commands from the phone number set in the panel. (Menu->Phone->Settings), the SMS commands sent by other mobile numbers will be not recognized and no action will be taken.

4.2.3 Security

(1) Interface



(2) Delay: Customize the countdown time when Alarm or Arming.

(3) Code:

- 1) User Code: Default user code is **1234**.
- 2) System Code: Default system code is **9876**.
- 3) Obfuscated Code: When entering the code, you can enter **5 to 8 digits** of the obfuscated code, as long as it contains the correct 4 digits in succession, it can be recognized as the correct code.
- 4) Password Validity Period: After selecting, you do not need to enter the password again **within 2 minutes** when the screen is on.

(4) Alarm:

Local Alarm: Select whether the panel emits an alarm sound.

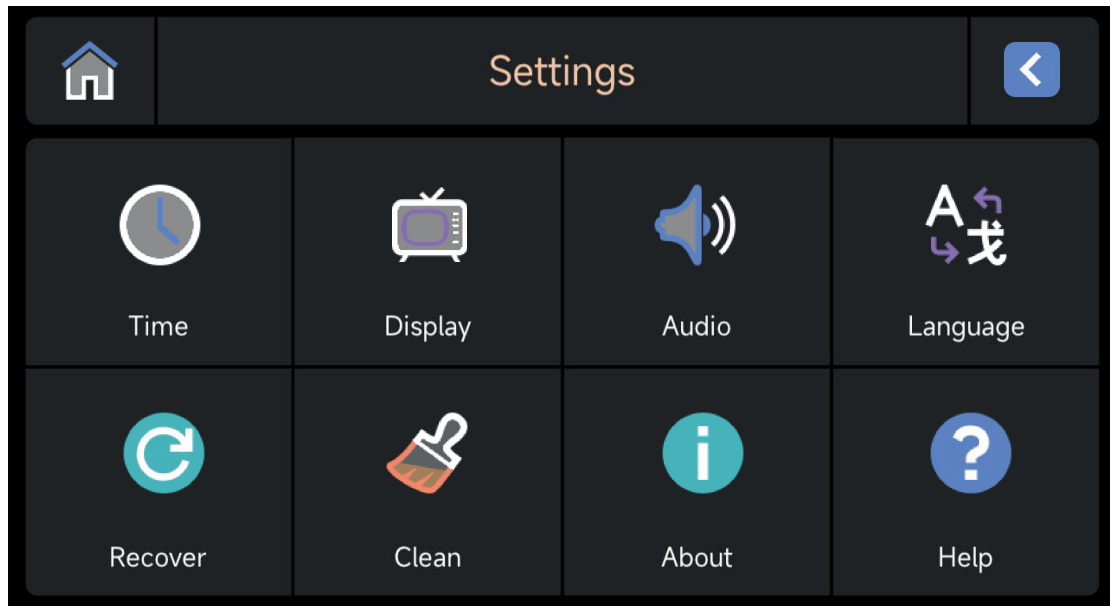
Siren Alarm: Select whether the external signal emits an alarm sound.

Siren Beep: Select whether the siren will beep when Arm/Disarm the panel.

Delay Beep: Choose whether to sound a beep when Arm or Alarm countdown.

4.2.4 Settings

(1) Frame Diagram



- (2) Time: Set the time and adjust the date display format.
- (3) Audio: Adjust volume, turn on/off Key beep, Voice tone.
- (4) Display: Set screen time and brightness.
- (5) Language: English / Deutsche / Français / Español / Italiano
- (6) Recover: Restart or reset the device.
- (7) Clean: The screen will be black for 1 minute, easy to clean the screen.
- (8) About: Device parameter Information : Model, Version,IMEI, etc.
- (9) Help: User Manual

V. Troubleshooting and Maintenance

Failure	The Reason	The Solution
Remote control malfunction	<ol style="list-style-type: none"> 1. Low battery 2. The metal sheet of the battery compartment is in poor contact or is corroded 3. The code is not paired with the panel 4. Does not match the wireless parameters of the panel 	<ol style="list-style-type: none"> 1. Replace the battery of the same model 2. Remove rust and dirt from metal sheets 3. Repair with the panel 4. Purchase accessories of the same type with technical parameters
Door sensor failure	<ol style="list-style-type: none"> 1. Low battery 2. The metal sheet of the battery compartment is in poor contact or is corroded 3. The code is not paired with the panel 4. Does not match the wireless parameters of the panel 5. The door sensor transmitter and the magnet are installed too far 	<ol style="list-style-type: none"> 1. Replace the battery of the same model 2. Remove rust and dirt from metal sheets 3. Repair with the panel 4. Purchase accessories of the same type with technical parameters 5. Install the door sensor transmitter and the magnet close to each other
Motion Detector failure	<ol style="list-style-type: none"> 1. Low battery 2. The metal sheet of the battery compartment is in poor contact or is corroded 3. The code is not paired with the panel 4. Does not match the wireless parameters of the panel 5. Incorrect angle 	<ol style="list-style-type: none"> 1. Replace the battery of the same model 2. Remove rust and dirt from metal sheets 3. Repair with the panel 4. Purchase accessories of the same type with technical parameters 5. Adjust the installation angle
Security panel does not alarm	<ol style="list-style-type: none"> 1. The security panel is not armed 2. Improper installation of accessories, too far away from the panel 3. The accessory code does not match the panel 	<ol style="list-style-type: none"> 1. Arming the panel 2. Adjust the position of accessories 3. Repair with the panel
The signal distance of the panel receiving accessories becomes shorter	<ol style="list-style-type: none"> 1. The main power is disconnected, and the backup power is insufficient 2. There is interference from similar products nearby 3. The panel receiving module is faulty 	<ol style="list-style-type: none"> 1. Check the power supply and restore the power supply 2. Check the source of interference and remove it 3. Contact customer service for repair

No emergency call was made when the alarm was triggered	<ol style="list-style-type: none"> 1. The panel is not armed 2. No emergency phone number is set 3. Improper installation of accessories, too far away from the panel 4. Encoding does not match 	<ol style="list-style-type: none"> 1. Arming the panel 2. Reset according to the instructions 3. Adjust the position of accessories 4. Repair with the panel
WiFi network configuration failed	<ol style="list-style-type: none"> 1. 2.4GHz WiFi is not connected 2. The current router is not compatible with quick configuration 3. Damaged WiFi module 	<ol style="list-style-type: none"> 1. Connect to 2.4GHz WiFi 2. Adopt panel WiFi hotspot configuration mode 3. Contact customer service for repair
Entry opened warning is invalid	<ol style="list-style-type: none"> 1. Door sensor pairing error 2. The door sensor switch code does not match the panel 3. Wrong alarm type is set 	<ol style="list-style-type: none"> 1. The door opening code needs to be paired correctly 2. The accessories are non-certified devices 3. Set the alarm type as main door alarm and window alarm

VI. Hazardous Substance Declaration

Component Name	Harmful substance					
	Lead (Pb)	Mercury (Hg)	Cadmium (Cd)	Hexavalent chromium (Cr(VI))	Polybrominated biphenyls (PBB)	Polybrominated diphenyl ethers (PBDE)
Metal parts	○	○	○	○	○	○
Plastic parts	○	○	○	○	○	○

VII. Warranty Rules

- (1) Please contact our after-sales service for any failure caused by the product itself during the warranty period.
- (2) The goods are guaranteed for one year from the date of sale, and the warranty service is only valid under normal use.
- (3) Damage caused by the use environment not meeting the requirements of this product is not covered by the warranty.
- (4) Product damage caused by man-made and force majeure is not covered by the warranty.

VIII. FCC Declares

This device complies with Part 15 of the FCC Rules.

Operation is subject to the following two conditions: (1) this device may not cause harmful interference, and (2) this device must accept any interference received, including interference that may cause undesired operation.

NOTE: This equipment has been tested and found to comply with the limits for a Class B digital device, pursuant to Part 15 of the FCC Rules. These limits are designed to provide reasonable protection against harmful interference in a residential installation. This equipment generates, uses and can radiate radio frequency energy and, if not installed and used in accordance with the instructions, may cause harmful interference to radio communications. However, there is no guarantee that interference will not occur in a particular installation. If this equipment does cause harmful interference to radio or television reception, which can be determined by turning the equipment off and on, the user is encouraged to try to correct the interference by one or more of the following measures:

- Reorient or relocate the receiving antenna.
- Increase the separation between the equipment and receiver.
- Connect the equipment into an outlet on a circuit different from that to which the receiver is connected.
- Consult the dealer or an experienced radio/TV technician for help.

Warning: changes or modifications not expressly approved by the party responsible for compliance could void the user's authority to operate the equipment.

