

QUICK INSTALLATION GUIDE



WIRELESS OUTDOOR SOLAR SIREN

Shield SRN-V2

SECURITY Alarm system accessories



PACKAGE CONTENTS



Shield SRN-V2 Screws

x1

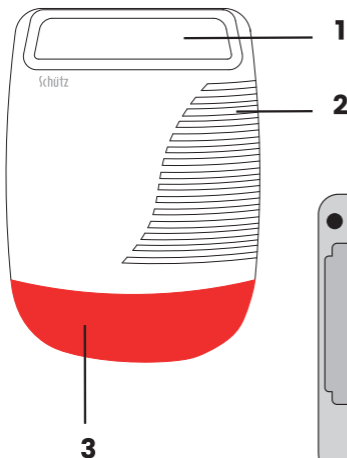


User guide

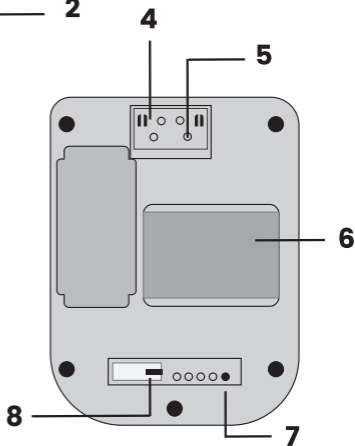
x1

APPEARANCE DESIGN

FRONT



BACK



1. Solar Panel
2. Loud Speaker
3. Red deterrent light
4. Anti-tearing system
5. Mounting bracket
6. Battery
7. Pairing button
8. ON/OFF button

SPECIFICATIONS

- **Built-in battery** : DC 3.7V (3.7V / 1000mAh)
rechargeable lithium battery
- **External power supply** : DC 6 ~ 12V
- **Max output** : 5V / 150mA
- **Standby time** : 60 days (Without sunlight)
- **Standby current** : <500uA
- **Alarm current** : ≤350mA
- **Wireless frequency** : 433MHZ (1527 code / 330K)
- **RX Sensitivity** :-113dBm
- **Wired defense zones** : 2 (Z0, Z1)
- **Wireless Zones** : 50

PRODUCT DESCRIPTION

This siren is totally wireless, with a rechargeable solar battery. It can be used as a stand-alone siren for an alarm system and works with other wireless sirens.

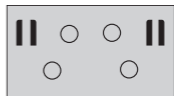
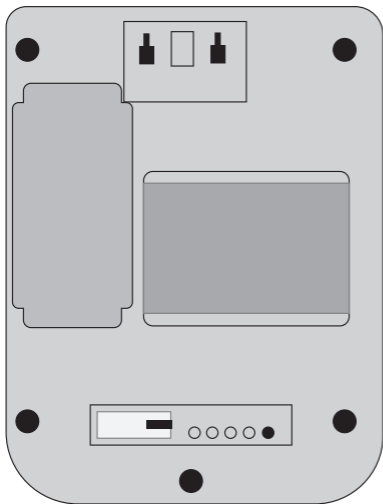
When an alarm system detector is triggered and if the system is armed then your outdoor siren will also be triggered. Its powerful 120dB will warn your entire neighborhood and thus deter a potential intrusion. In addition to the audible warning, the siren emits flashing red warning lights.

INSTALLATION FROM YOUR CENTRAL

To install the solar siren

- Go to the central
 - Click on the toothed wheel at the bottom left
 - Click Accessory
 - Type the code (1234 by default)
 - Turn on the siren on the back (on/off button)
 - Press the pairing button on the back for 3 seconds until you hear a beep. All the LEDs will light up.
 - Go back to the control unit, click on Siren then Execute.
- The siren will beep and the installation is **complete**.

INSTALLATION ON STANDS



**Mounting
bracket**

You will find the mounting bracket at the back of the device. Slide it up to unhook it from your siren. Once exposed, you can attach the mounting bracket directly to the wall and then hang your siren there.

Be careful, the support is connected to the anti-tearing system. This manipulation can trigger the alarm if the siren is on.

MAINTENANCE

Do not hesitate to consult the assistance page of our website to answer the problems encountered with this device or find the complete user manual.

www.schutz-tech.com

You have not found the answer to your question ?

Our technical department can be contacted by e-mail at the following address :

sales@schutz-tech.com

Schutz
Premium Qualität

STANDARDS



This product bears the selective sorting symbol for waste electrical and electronic equipment (WEEE). This means that this product must be handled pursuant to European Directive 2012/19/EU in order to be recycled or dismantled to minimize its impact on the environment. For further information, please contact your local or regional authorities. Electronic products not included in the selective sorting process are potentially dangerous of hazardous substances.



In compliance with European Laws. This product is in the essential requirements and other relevant provisions of Directive 2014/53/EU (RED) substances



This product was designed and manufactured in compliance with Directive 2011/65/EU of the European Parliament and of the Council on the restriction of use of certain hazardous substances in electrical and electronic equipment (RoHS Directive - RoHS) and is deemed to comply with the maximum concentration values set by the European Technical Adaptation Committee (TAC)

Manufactured in PRC